



megaspin 220VP / 220V

COMPACT VIDEO
WHEEL BALANCER
WITH HIGH PERFORMANCE



megaspin 220VP

megaspin 220VP



Hofmann Megaplan wheel balancers are a concentrate of functionality and technology. Each model is the result of an in-depth analysis of the real needs of the market and ensures optimal results in terms of quality and efficiency.

megaspin



megaspin 220V

megaspin 220V



megaspin 220VP / 220V

COMPACT VIDEO
WHEEL BALANCER
WITH HIGH PERFORMANCE



Automatic gauge

The extended automatic gauge allows detecting automatically the distance and diameter of the wheel up to 30".

In addition, with the Auto Select function, the machine automatically recognizes whether the rims are made of steel or alloy.



Virtual Sonar

Virtual Sonar is a software able, in the absence of an actual sonar device, to automatically measure the width of steel rims and, therefore, to calculate the position of the second correction plane.

Virtual Sonar reduces balancing time by avoiding operator errors caused by manual data entries and guarantees, at the same time, a balancing efficiency.



Laser line

For an extremely quick balancing operation, M220VP and M220V are equipped with laser line indicating the correction point and electric brake locking the wheel in position.

Video display

The 17" video display is simple and durable and allows intuitive use of all machine functions. The software has been developed to provide several support programs to tyre professionals: SPLIT, OPT, ALU.

A circular icon with a video camera symbol and the text 'Display VIDEO'.

Megaclamp - Pneumatic locking (M220VP)

Pneumatic locking ensures perfect wheel centering on the spindle, reducing clamping time. M220V has the manual locking system.

A circular icon with a pneumatic cylinder symbol and the text 'MEGA CLAMP'.

Automatic approach

With the automatic approach system and the electric brake, once the measuring spin is completed, the wheel automatically stops near the exact point of application of the counterweight. The operator can position the wheel correctly with just a little movement. After the first plane is corrected, pressing "start" the wheel position itself around the second correction point.

A circular icon with a wheel and arrows symbol and the text 'AUTOMATIC APPROACH'.

Standard accessories

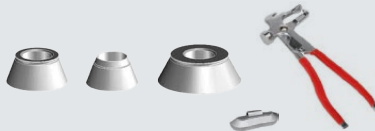


SE KIT

Ring, quick locking sleeve SE2, SE spacer

KIT GL40

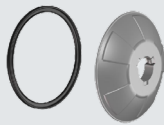
Quick locknut GL40 with sleeve and ring



3 CONES KIT

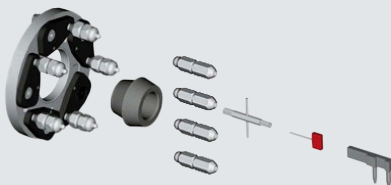
Ø 45÷110 mm, pincer-hammer and 60 g counterweight

Optional accessories



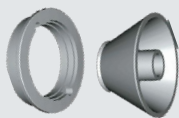
RL CUP Ø 40

Large plastic cup with rubber ring for alloy rims protection



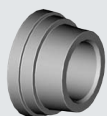
UH20/2 Ø 40

Universal adapter for wheels with 3,4,5,6 holes. Complete with back centering double cone for wheels with/without central holes



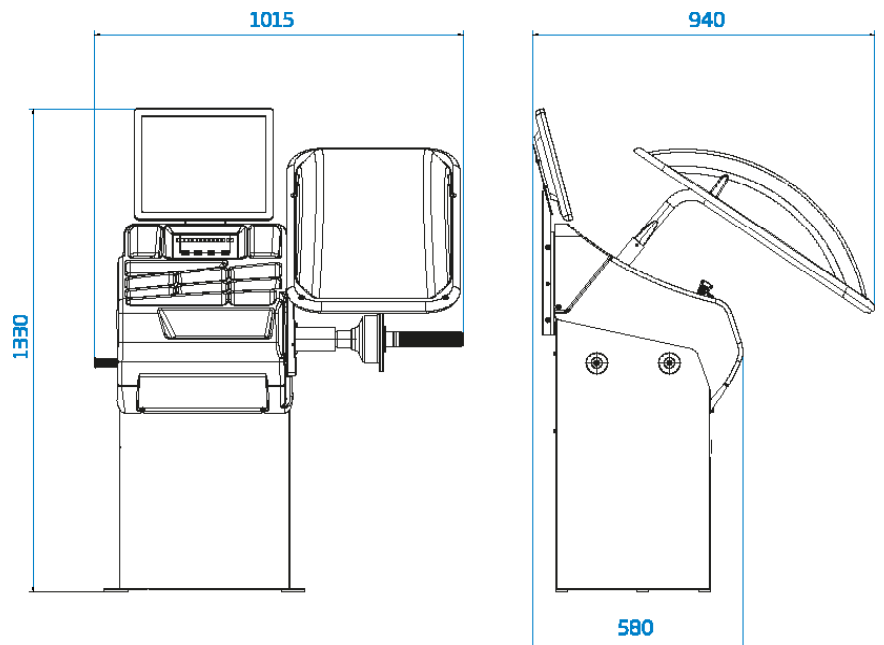
CONO VL/2 + DISCO G36

Kit for light truck wheels (Ø 97÷170 mm centre hole)



CONO MT2 Ø 40

Stepped cone for Porsche - Audi - Opel - Volkswagen - BMW - Smart (Ø56,5 / 57 / 66,5 / 72,5 mm centre hole)



Technical Data

Single phase power supply

230V/1ph/50 Hz

115V/1ph/60 Hz

Max. absorbed power

0,15 kW

Balancing speed

100 rpm

Measurement spin time for 15 kg (33 lb) wheel

4,7 s

Measurement uncertainty

± 0,5 g

Resolution

0,5 g

Average noise

< 70 dB (A)

Rim width setting range

1,5" ÷ 20" / 40 ÷ 510 mm

Rim diameter setting range

10" ÷ 30" / 265 ÷ 765 mm

Min./Max. compressed air pressure

7 ÷ 10 kg/cm² / ~ 0.7 ÷ 1 MPa

~ 7 ÷ 10 bar / ~ 105 ÷ 145 psi

Max. wheel weight

< 75 kg

Machine weight

110 kg



OPTIONAL ZERO WEIGHT LIFT TO REDUCE ANY EFFORT

Professional automatic wheel lift with load capacity up to 80 kg.

Zero weight is quick and ensure the exact centring of the wheel.



HOFMANN MEGAPLAN GmbH

Hüttenstrasse 7 - 67550 Worms - Germany

T +49 (0)6242 913 6666 - hm-mail@hofmann-megaplan.com

www.hofmann-megaplan.com